

## In This Issue

- » **FEATURED Products**  
Knight XL Venting Option
- » Installation Tips
- » Featured Job  
St. Peter Forensic  
Nursing Facility

## Interesting Facts



- The highest ever recorded wind speed of a tornado was 301 miles per hour at Oklahoma in May 1999.
- The air around a lightning bolt is approximately 30,000° C - six times hotter than the Sun's surface.
- Each year, tens of thousands of Americans suffer back injuries, rotator cuff tears, wrist strains and broken bones all from shoveling snow.

Taken from Modern Marvels

## March Dates to Remember

- Mar 8 - Daylight Saving Time Begins
- Mar 10 - ASHRAE Meeting
- Mar 17 - St. Patrick's Day
- Mar 18 - ASPE Meeting
- Mar 20 - First Day of Spring



Ryan Company, Inc.  
3361 Republic Ave  
St. Louis Park, MN 55426  
Phone (952) 915-6475  
Fax (952) 915-6480  
[www.ryancompanyinc.com](http://www.ryancompanyinc.com)

## FEATURED Products

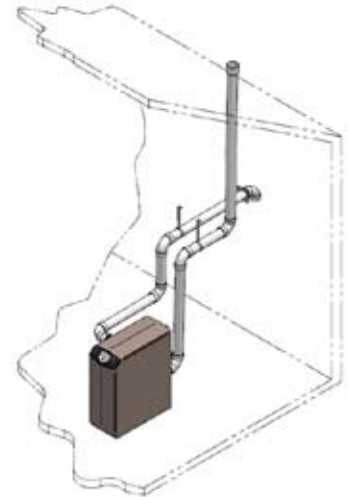


### Lochinvar Knight XL Venting Option

The Knight XL's can now be vented vertically with combustion air drawn from the mechanical room or from a sidewall connection.

The Installation & Operation Manual now includes the room air option and is being updated to include the side wall air intake option.

Look for this option to be available on the smaller Knights, Armors and Syncs later this year.



### Installation Tips - Gas Pressure Regulators

- I. From MN Rules (1346.5410 & 1346.5806) and IFGC
  - A. Regulators shall be provided with a shutoff valve, union and test taps (both upstream and downstream of the regulator) for servicing.
  - B. All regulators with an inlet gas pressure exceeding 14" wc or used on an appliance having an input exceeding 400,000 Btu/hr shall have an approved high pressure manual gas valve in the supply piping upstream of the regulator.
  - C. Pressure Regulators that require a vent shall have an independent vent to the outside of the building.
  - D. Regulator vents shall terminate at least 3ft from doors, operable windows, non-mechanical intake openings, and openings into direct-vent appliances. The vent termination shall be located at least 12in above grade and shall be suitably screened and hooded to prevent accidental closure of the vent pipe.
  - E. All pounds to Pounds and pounds to inches regulators used as appliance regulators where downstream controls are not rated for upstream pressure shall be of the full lockup type.
- II. From Regulator Manufacturers
  - A. Vent pipe must be connection size or larger.
  - B. Keep vent lines as short as possible with minimal elbows.
  - C. Increase vent pipe one size for every 10ft and 3ft of vent line for every elbow.
  - D. Some regulators can be mounted in various positions, some cannot. When in doubt, mount in the upright position.
  - E. Make control line connections in a straight run of pipe about 10 pipe diameters downstream of any area of turbulence, such as elbows, pipe swages, or block valves.



## Featured Job

Job Name: St. Peter Forensic Nursing Facility

Mechanical Engineer: BKV Group

Mechanical Contractor: Wenzel Plumbing

Equipment: (1) LES HW-1800 Standard Efficiency Boiler  
(1) LES VI-240 High Efficiency Condensing Boiler  
(1) HeatTimer Boiler Sequencing Controller

# L.E.S.

BKV Group provided the owner with a high efficiency LES VI series primary boiler and a competitively priced LES H Series boiler capable of being fired on #2 fuel oil and natural gas.



### LES H Series Water Boiler Features

- » Up to 125 BHP
- » Fits through a 36" door
- » Various Burner Options
- » Up to 80 PSI Water Pressure
- » Available in Low Pressure Steam

### LES VI Features

- » Up to 97% efficient (Natural or LP)
- » Modulating High Turndown Burner
- » Up to 100 PSI Water Pressure
- » Sizes available 750,850,1000, 1500 or 2000 MBH Input



English



Aldrich



RYAN COMPANY, INC • 3361 Republic Ave • St Louis Park, MN 55426  
(952) 915-6475 PH • (952) 915-6480 FX • [www.ryancompanyinc.com](http://www.ryancompanyinc.com)