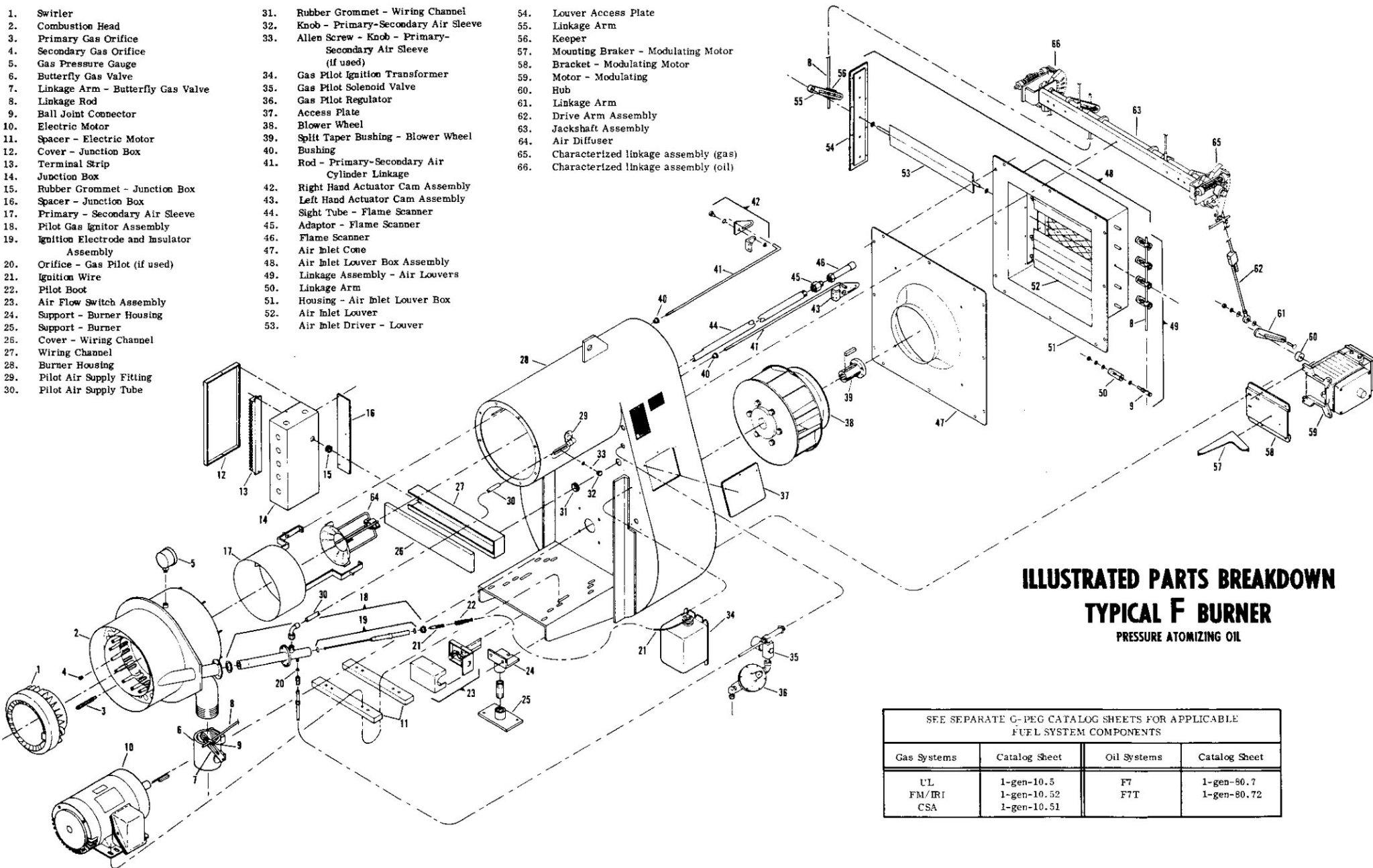


LEGEND

- | | | |
|---|---|--|
| <ol style="list-style-type: none"> 1. Swirler 2. Combustion Head 3. Primary Gas Orifice 4. Secondary Gas Orifice 5. Gas Pressure Gauge 6. Butterfly Gas Valve 7. Linkage Arm - Butterfly Gas Valve 8. Linkage Rod 9. Ball Joint Connector 10. Electric Motor 11. Spacer - Electric Motor 12. Cover - Junction Box 13. Terminal Strip 14. Junction Box 15. Rubber Grommet - Junction Box 16. Spacer - Junction Box 17. Primary - Secondary Air Sleeve 18. Pilot Gas Ignitor Assembly 19. Ignition Electrode and Insulator Assembly 20. Orifice - Gas Pilot (if used) 21. Ignition Wire 22. Pilot Boot 23. Air Flow Switch Assembly 24. Support - Burner Housing 25. Support - Burner 26. Cover - Wiring Channel 27. Wiring Channel 28. Burner Housing 29. Pilot Air Supply Fitting 30. Pilot Air Supply Tube | <ol style="list-style-type: none"> 31. Rubber Grommet - Wiring Channel 32. Knob - Primary-Secondary Air Sleeve 33. Allen Screw - Knob - Primary-Secondary Air Sleeve (if used) 34. Gas Pilot Ignition Transformer 35. Gas Pilot Solenoid Valve 36. Gas Pilot Regulator 37. Access Plate 38. Blower Wheel 39. Split Taper Bushing - Blower Wheel 40. Bushing 41. Rod - Primary-Secondary Air Cylinder Linkage 42. Right Hand Actuator Cam Assembly 43. Left Hand Actuator Cam Assembly 44. Sight Tube - Flame Scanner 45. Adaptor - Flame Scanner 46. Flame Scanner 47. Air Inlet Cone 48. Air Inlet Louver Box Assembly 49. Linkage Assembly - Air Louvers 50. Linkage Arm 51. Housing - Air Inlet Louver Box 52. Air Inlet Louver 53. Air Inlet Driver - Louver | <ol style="list-style-type: none"> 54. Louver Access Plate 55. Linkage Arm 56. Keeper 57. Mounting Braker - Modulating Motor (if used) 58. Bracket - Modulating Motor 59. Motor - Modulating 60. Hub 61. Linkage Arm 62. Drive Arm Assembly 63. Jackshaft Assembly 64. Air Diffuser 65. Characterized linkage assembly (gas) 66. Characterized linkage assembly (oil) |
|---|---|--|



ILLUSTRATED PARTS BREAKDOWN TYPICAL F BURNER PRESSURE ATOMIZING OIL

SEE SEPARATE G-PEG CATALOG SHEETS FOR APPLICABLE
FUEL SYSTEM COMPONENTS

| Gas Systems | Catalog Sheet | Oil Systems | Catalog Sheet |
|---------------------|--|-------------|---------------------------|
| UL FM/IRI CSA | 1-gen-10.5 1-gen-10.52 1-gen-10.51 | F7 F7T | 1-gen-80.7 1-gen-80.72 |